



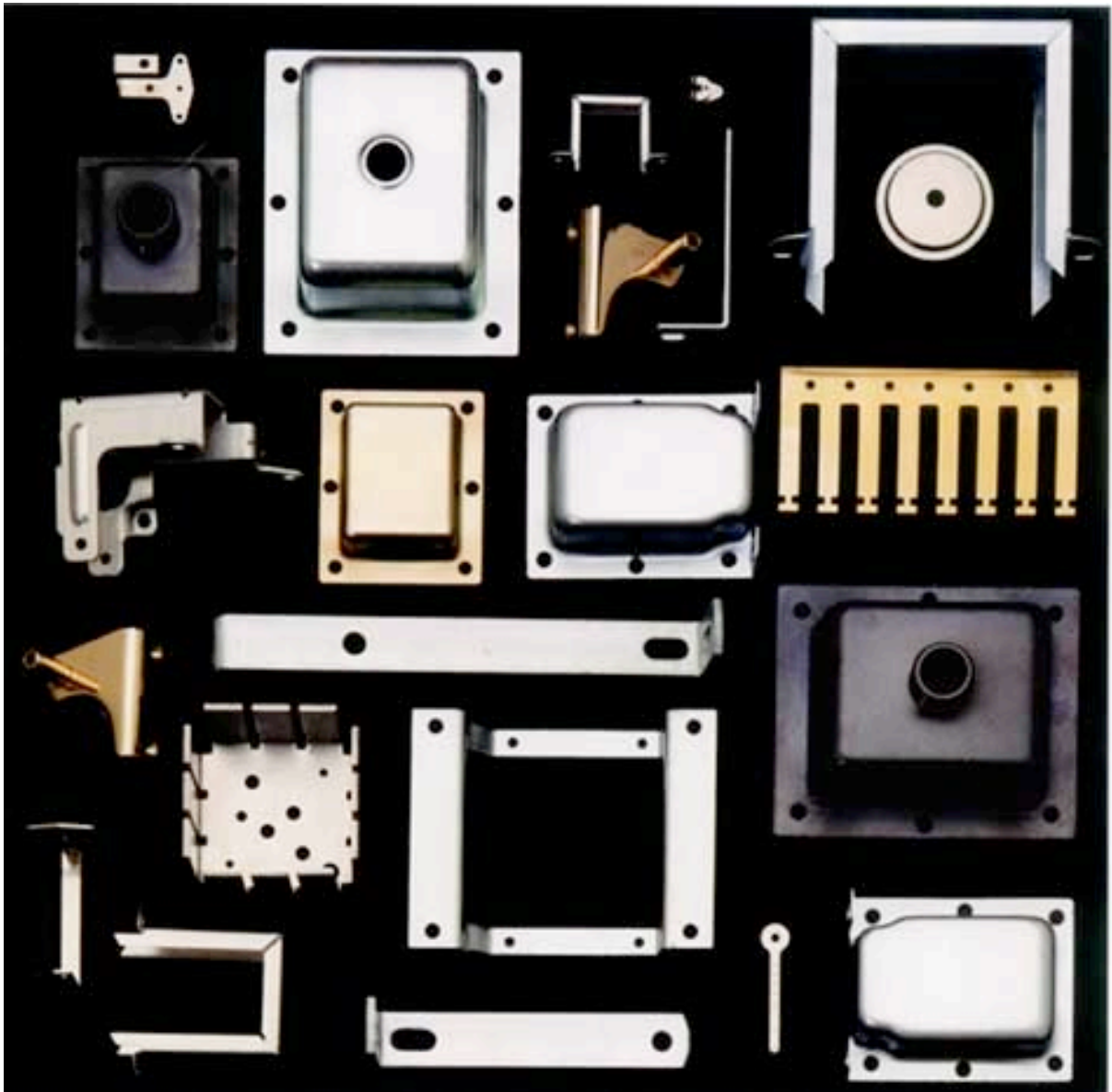
Bahrs

Die & Stamping

[Click here to
go to the
Catalog Index](#)

Transformer Hardware 2017 CATALOG

MINIMUM QUANTITIES MAY APPLY | CALL FOR DETAILS



Quality, Custom Tooling & Metal Stamping since 1939

Click to go to:

 **Shields**

 **Covers**

 **Lead Holes**

 **Frames**

 **Brackets**

 **Miscellaneous**

**Catalog
Index**

Bahrs

Click to go to:

[Standard Shields](#)

4

[Vertical Shield - 3/4" Lamination](#)

5



Shields

Bahrs

Covers

Click to go to: Cover - 3/4" Lamination	7
Plain Covers- Standard Holes	8
Plain Covers - RETMA Holes	9
Fully Mounted Covers - With Flanges - Standard Holes	10
Fully Mounted Cover - No Flanges - Standard Holes	11
Fully Mounted Cover - No Flanges - RETMA Holes	12
Vertical Cover - 7/8" Lamination	13
Vertical Cover - 7/8" Lamination - 1/4" Raised	14
Vertical Cover - 7/8" Lamination - 21/64" Raised	15
Vertical Cover - 1" Lamination	16
Vertical Cover - 1" Lamination - 1/8" Raised	17
Vertical Cover - 1" Lamination - 1/4" Raised	18
Vertical Cover - 1-1/8" Lamination	19
Vertical Cover - 1-1/4" Lamination (22Ga)	20
Vertical Cover - 1-1/4" Lamination (18 Ga)	21
Vertical Cover - 1-3/8" Lamination (22 Ga)	22
Vertical Cover - 1-3/8" Lamination (18 Ga)- 4 Hole	23
Vertical Cover - 1-3/8" Lamination (18 Ga)- 6 Hole	24
Vertical Cover - 1-3/8" Lamination (18 Ga)- 6 Hole	25
Vertical Cover - 1-1/2" Lamination	26
Horizontal Cover - 7/8" Lamination	27
Horizontal Cover - 1" Lamination	28
Horizontal Cover - 1-1/8" Lamination	29
Horizontal Cover - 1-1/4" Lamination (22 Ga)	30
Horizontal Cover - 1-1/4" Lamination (18 Ga)	31
Horizontal Cover - 1-3/8" Lamination (22 Ga)	32
Horizontal Cover - 1-3/8" Lamination (18 Ga)	33
Horizontal Cover - 1-1/2" Lamination	34
C.V. Cover	35
C.V. Cover	36

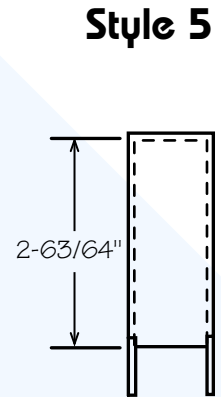
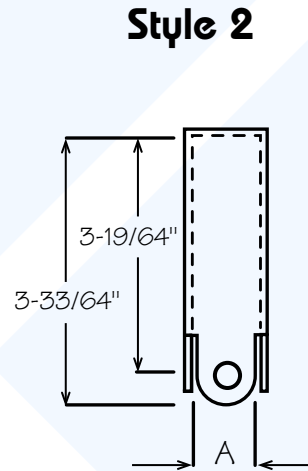
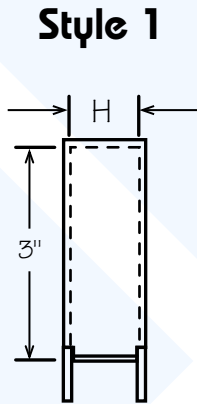
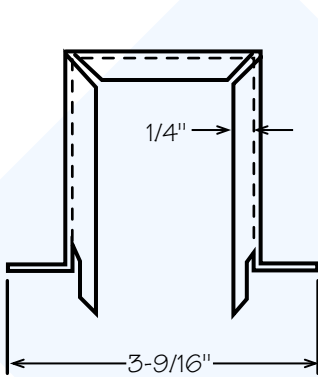
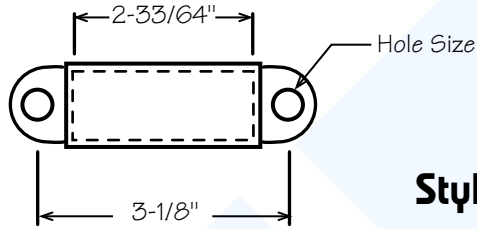
Lead Holes

Click to go to: Lead Holes Shields	38
Lead Slots Shields	39
Lead Holes Covers	40
Lead Slots/Cutouts	41
Lead Holes/Slots - Fully Mounted Covers	42
1/2" Pipe Nipple - Shields & Cover	43

Bahrs

Frames

Click to go to: Horizontal Frame - 3/16" Lamination	45
Horizontal Frame - 1/4" Lamination	46
Horizontal Frame - 26 - 27 - 3/8" Lamination	47
Horizontal Frame - 3/8" Lamination	48
Horizontal Frame - 1/2" Lamination	49
Horizontal Frame - 5/8" Lamination	50
Horizontal Frame - 3/4" Lamination	51
Horizontal Frame - 7/8" Lamination	52
Horizontal Frame - 1" Lamination	53
Horizontal Frame - 1-1/8" Lamination	54
Vertical Frames - 1/4" Lamination	55
Vertical Frames - 3/8" Lamination	56
Vertical Frames - 1/2" Lamination	57
Vertical Frames - 5/8" Lamination	58
Vertical Frames - 3/4" Lamination	59
Vertical Frames - 7/8" Lamination	60
Vertical Frames - 1" Lamination	61



Stock Items

1 X 1 - Style 1 (0.187)

1 X 1-1/8 - Style 1 (0.187)

Stack Height	Available Styles							Available Hole Sizes	A	H
	1	2	3	4	5	6	7			
1	X	X			X			0.187 # 8 Extrusion 3/16 X 9/32 Slot	7/8	1-1/64
1-1/8	X	X			X			0.187	1	1-9/64

Tolerances:

Decimal ± 0.005 "

Fractional $\pm 1/64$ "

Material 22 GA

CRS—Cold Rolled Steel

ETC—Electro Tin Coated

Phone: (513) 793-8100

FAX: (513) 793-0624

Links

E-Mail: info@bahrsdie.com

Web: www.bahrsdie.com



Bahrs

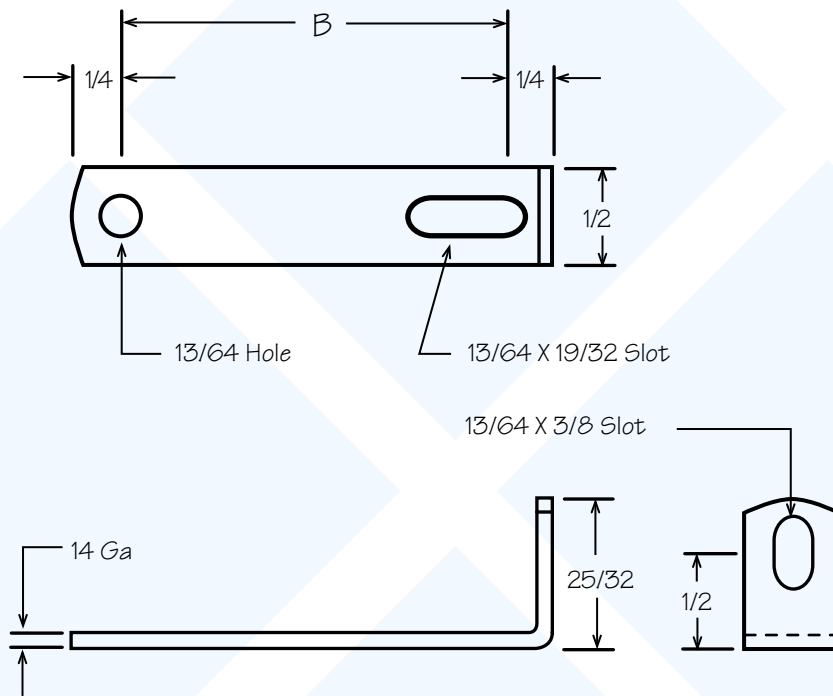
Die & Stamping Co., Inc.

4375 Rossplain Rd., Cincinnati, OH 45236

Brackets

Click to go to: Mounting Brackets TMB-100 Series	63
Options for TMB-100/200 Series Brackets	64
Mounting Brackets BU100 Series	65
Mounting Brackets TMB-200 Series	66
Mounting Brackets TMB-10 Series	67
Mounting Brackets TMB-1100 Series	68
Mounting Brackets TMB-400/500 Series	69
Mounting Brackets TMB-600 Series	70
Mounting Brackets TMB-700 Series	71
Mounting Brackets TMB-800 Series	72
Mounting Straps TMS-1 Series	73
C.V. Brackets CVB 10 & 20 Series	74
C.V. Brackets CVB 30 Series	75
Mounting Brackets 1-1/4" Cover	76

Bahrs



See Page 57 for options for TMB-100/200 Series Brackets

GENERAL DIMENSIONS

Part No.	Computer#	Mounting	B-Dim	Part No.	Computer#	Mounting	B-Dim
TMB-101	B110H0	1 Horz	2	TMB-107	B113H0	1-3/8 Horz.	2-27/32
TMB-102	B110V0	1 Vert.	2-1/2	TMB-108	B113V0	1-3/8 Vert.	3-17/32
TMB-103	B111H0	1-1/8 Horz.	2-9/32	TMB-109	B115H0	1-1/2 Horz.	3-1/8
TMB-104	B111V0	1-1/8 Vert.	2-27/32	TMB-110	B115V0	1-1/2 Vert.	3-7/8
TMB-105	B112H0	1-1/4 Horz.	2-9/16	TMB-111	B116H0	1-5/8 Horz.	3-19/32
TMB-106	B112V0	1-1/4 Vert.	3-3/16	TMB-113	B117H0	1-3/4 Horz.	3-11/16

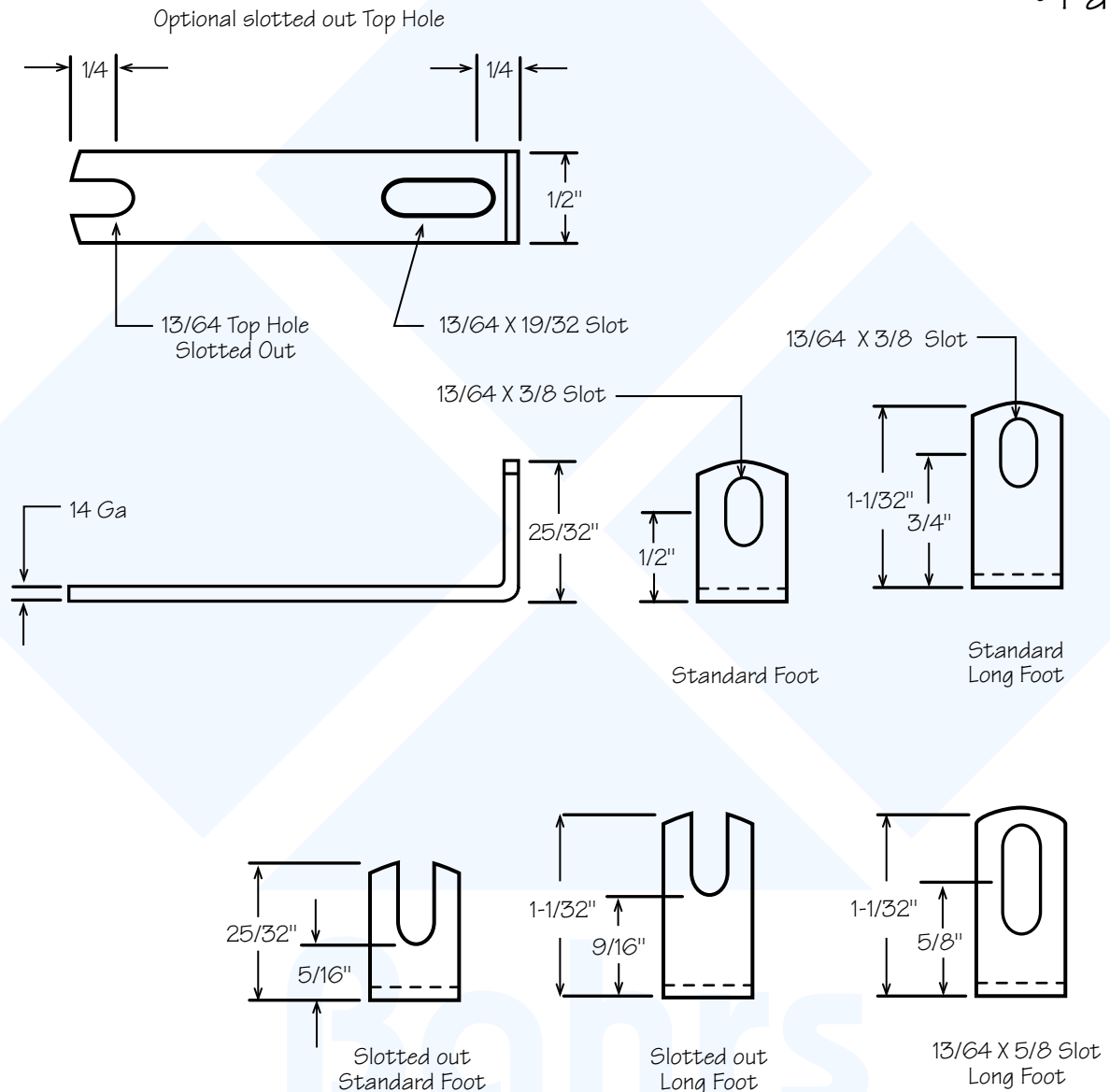
Tolerances:
 Decimal ± 0.005 "
 Fractional $\pm 1/64$ "

Phone: (513) 793-8100
 FAX: (513) 793-0624

Links E-Mail: info@bahrsdie.com
 Web: www.bahrsdie.com



Bahrs
 Die & Stamping Co., Inc.
 4375 Rossplain Rd., Cincinnati, OH 45236



Optional Mounting Foot

- Standard Long Foot
- Slotted out Standard Foot
- Slotted out Standard Long Foot
- Long Foot with 13/64 X 5/8 Slot

Optional Top Leg

- Slotted out Top Hole
- This Option is ONLY available on the Standard Foot and Standard Long Foot

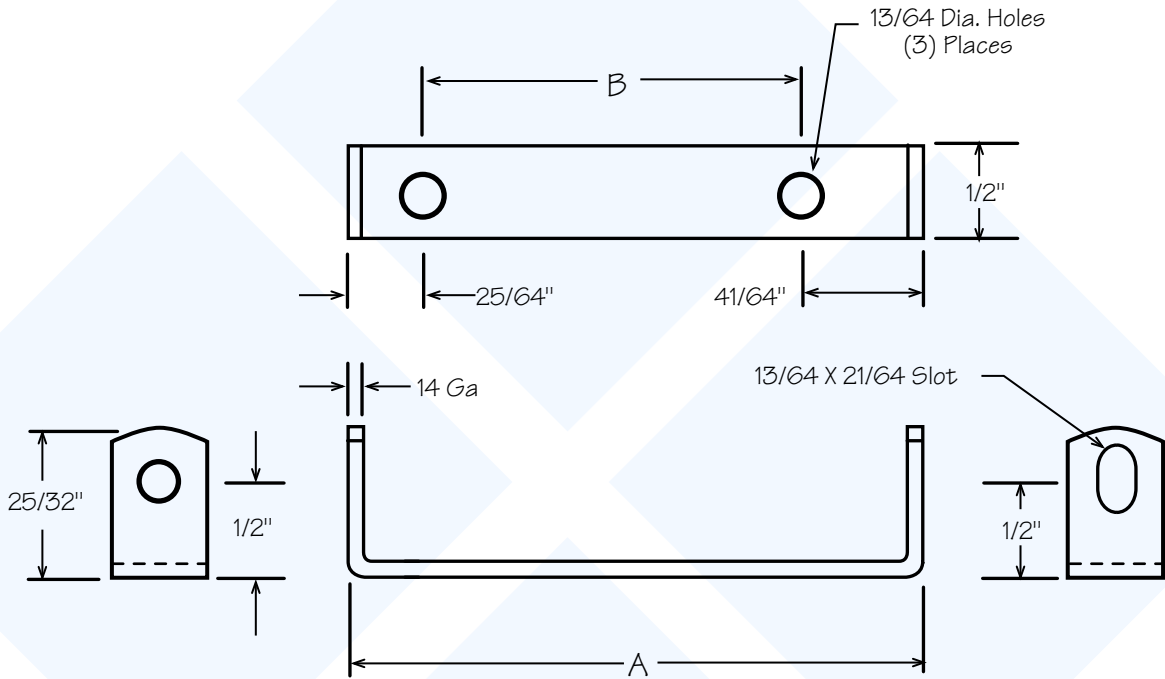
Tolerances:
Decimal $\pm 0.005"$
Fractional $\pm 1/64"$

Phone: (513) 793-8100
FAX: (513) 793-0624

Links E-Mail: info@bahrsdie.com
Web: www.bahrsdie.com



Bahrs
Die & Stamping Co., Inc.
4375 Rossplain Rd., Cincinnati, OH 45236



GENERAL DIMENSIONS

Part No.	Mounting	A	B	Part No.	Mounting	A	B
BU10HO	1 Horiz.	3-1/32	2	BU12VO	1-1/4 Vert.	4-5/32	3-1/8
BU10VO	1 Vert.	3-17/32	2-1/2	BU13HO	1-3/8 Horiz.	3-25/32	2-3/4
BU11HO	1-1/8 Horiz.	3-9/32	2-1/4	BU13VO	1-3/8 Vert.	4-15/32	3-7/16
BU11VO	1-1/8 Horiz.	3-27/32	2-13/16	BU15HO	1-1/2 Horiz.	4-1/32	3
BU12HO	1-1/4 Horiz.	3-17/32	2-1/2	BU15VO	1-1/2 Vert.	4-25/32	3-3/4

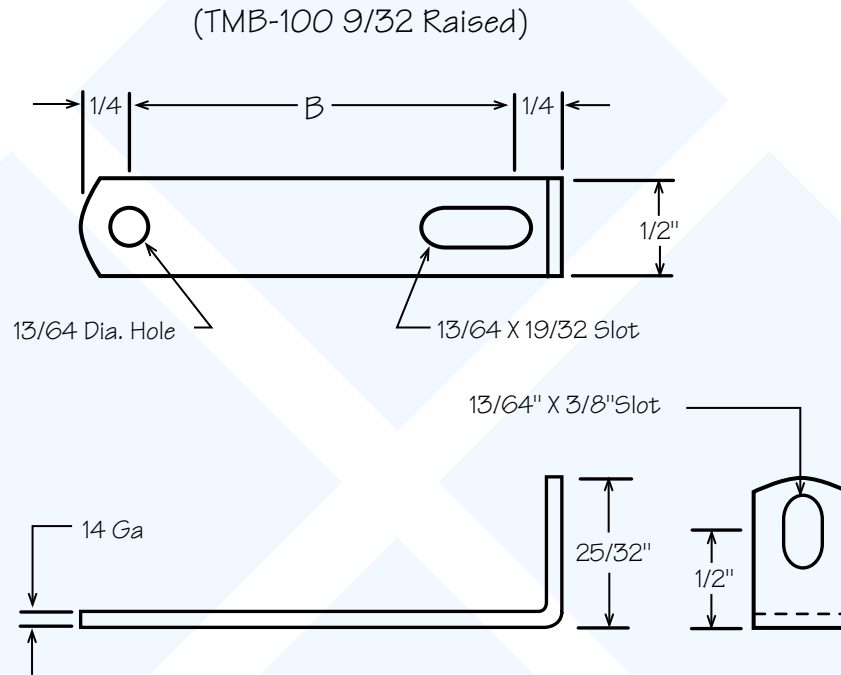
Tolerances:
 Decimal $\pm 0.005"$
 Fractional $\pm 1/64"$

Phone: (513) 793-8100
 FAX: (513) 793-0624

Links E-Mail: info@bahrsdie.com
 Web: www.bahrsdie.com



Bahrs
 Die & Stamping Co., Inc.
 4375 Rossplain Rd., Cincinnati, OH 45236



GENERAL DIMENSIONS

Part No.	Computer #	Mounting	B-Dim	Part No.	Computer #	Mounting	B-Dim
TMB-201	B210H0	1 Horiz.	2-9/32	TMB-207	B213H0	1-3/8 Horiz	3-1/8
TMB-202	B210V0	1 Vert.	2-25/32	TMB-208	B213V0	1-3/8 Vert.	3-13/16
TMB-203	B211H0	1-1/8 Horiz.	2-9/16	TMB-209	B215H0	1-1/2 Horiz	3-13/32
TMB-204	B211V0	1-1/8 Vert.	3-1/8	TMB-210	B215V0	1-1/2 Vert.	4-5/32
TMB-205	B212H0	1-1/4 Horiz.	2-27/32	TMB-211	B216H0	1-5/8 Horiz	3-7/8
TMB-206	B212V0	1-1/4 Vert.	3-15/32	TMB-213	B217H0	1-3/4 Horiz	3-31/32

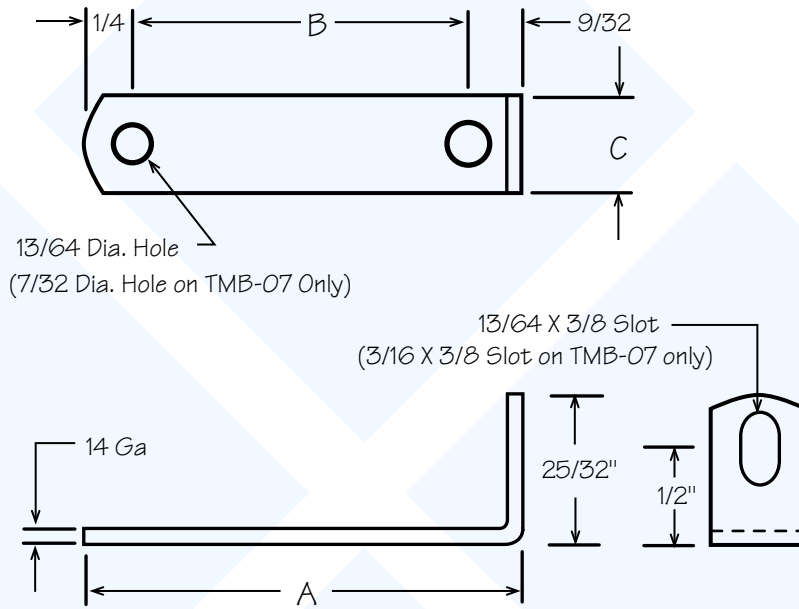
Tolerances:
 Decimal $\pm 0.005"$
 Fractional $\pm 1/64"$

Phone: (513) 793-8100
 FAX: (513) 793-0624

Links E-Mail: info@bahrsdie.com
 Web: www.bahrsdie.com



Bahrs
 Die & Stamping Co., Inc.
 4375 Rossplain Rd., Cincinnati, OH 45236



GENERAL DIMENSIONS

Part No.	Mounting	A	B	C
TMB-07	7/8 Horiz.	2-9/32	1-3/4	7/16
TMB-08	7/8 Vert.	2-23/32	2-3/16	7/16
TMB-1	1 Horiz.	2-17/32	2	1/2
TMB-2	1 Vert.	3-1/32	2-1/2	1/2
TMB-3	1-1/8 Horiz.	2-25/32	2-1/4	1/2
TMB-4	1-1/8 Vert.	3-11/32	2-13/16	1/2

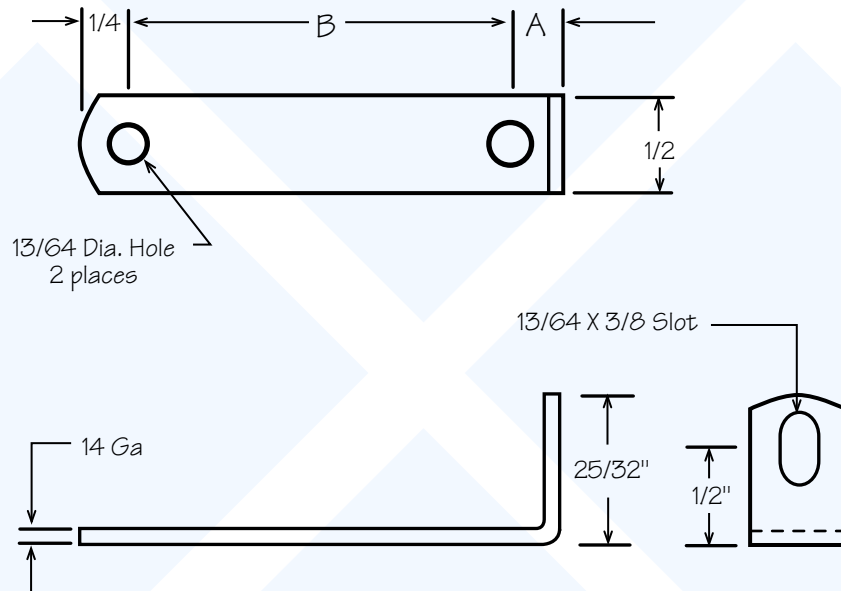
Tolerances:
 Decimal ± 0.005 "
 Fractional $\pm 1/64$ "

Phone: (513) 793-8100
 FAX: (513) 793-0624

Links E-Mail: info@bahrsdie.com
 Web: www.bahrsdie.com



Bahrs
 Die & Stamping Co., Inc.
 4375 Rossplain Rd., Cincinnati, OH 45236



GENERAL DIMENSIONS

Part No.	Mounting	B	A	Part No.	Mounting	B	A
TMB-1101	1 Horiz.	2	1/4	TMB-1106	1-1/4 Vert.	3-1/8	5/16
TMB-1102	1 Vert.	2-1/2	1/4	TMB-1107	1-3/8 Horiz.	2-3/4	11/32
TMB-1103	1-1/8 Horiz.	2-1/4	9/32	TMB-1108	1-3/8 Vert.	3-7/16	11/32
TMB-1104	1-1/8 Vert.	2-13/16	9/32	TMB-1109	1-1/2 Horiz.	3	3/8
TMB-1105	1-1/4 Horiz.	2-1/2	5/16	TMB-1110	1-1/2 Vert.	3-3/4	3/8

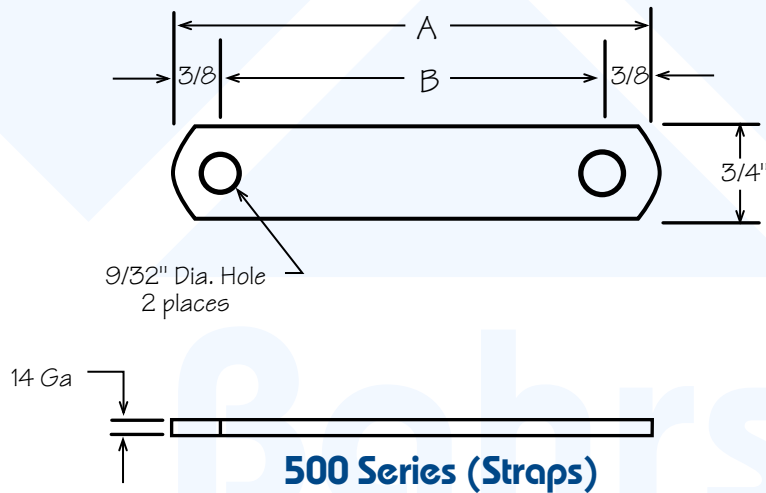
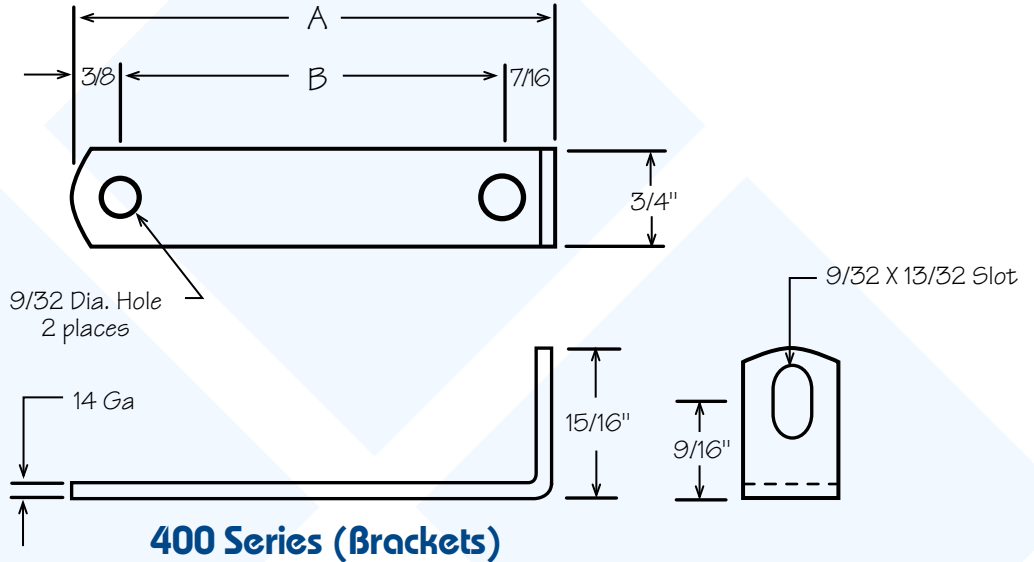
Tolerances:
 Decimal $\pm 0.005"$
 Fractional $\pm 1/64"$

Phone: (513) 793-8100
 FAX: (513) 793-0624

Links E-Mail: info@bahrsdie.com
 Web: www.bahrsdie.com



Bahrs
 Die & Stamping Co., Inc.
 4375 Rossplain Rd., Cincinnati, OH 45236



GENERAL DIMENSIONS

Part No.	A	B	Part No.	A	B
TMB-475	4-5/16	3-1/2	TMS-575	4-1/4	3-1/2
TMB-476	5-3/16	4-3/8	TMS-576	5-1/8	4-3/8

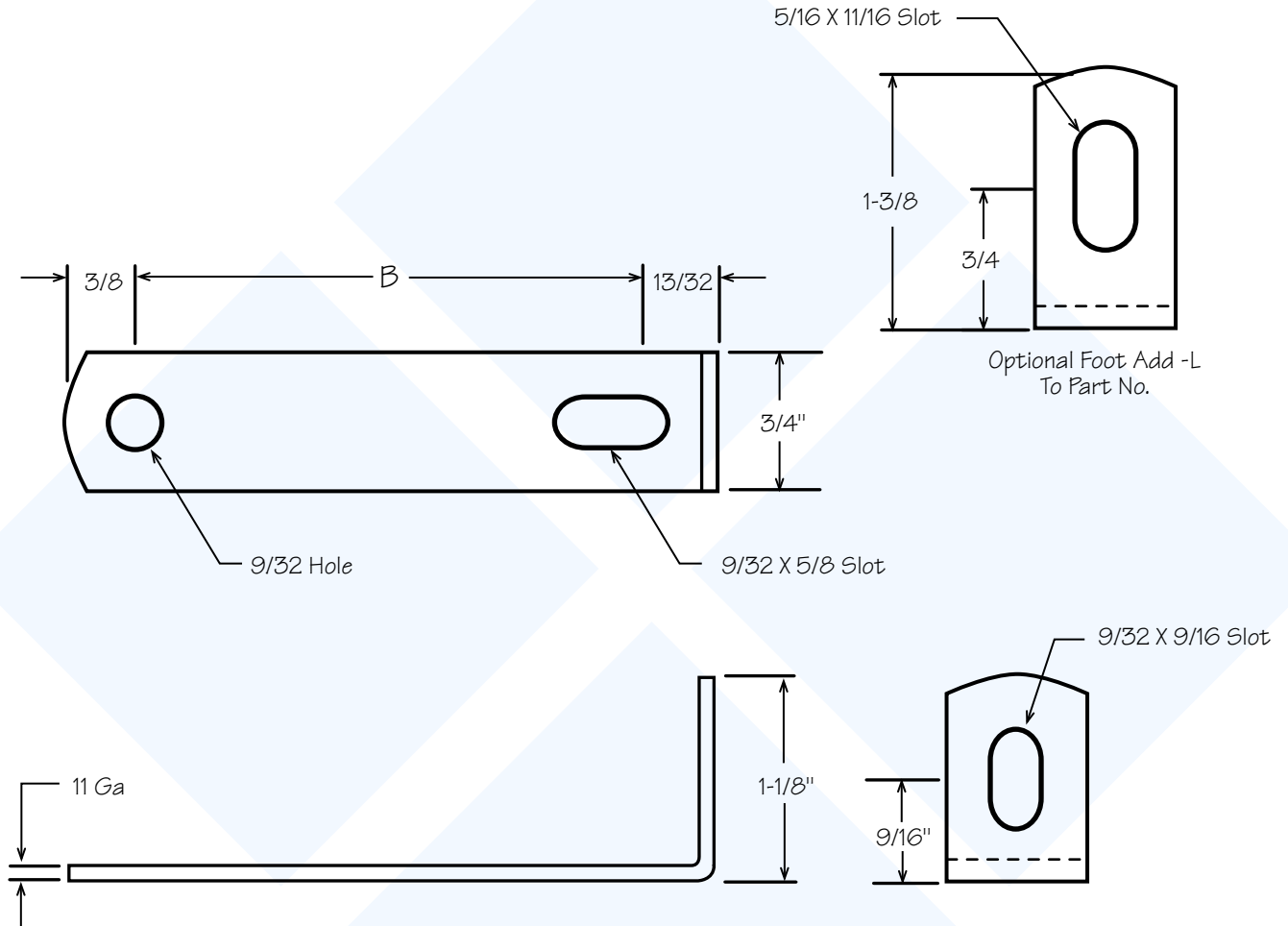
Tolerances:
 Decimal $\pm 0.005"$
 Fractional $\pm 1/64"$

Phone: (513) 793-8100
 FAX: (513) 793-0624

Links E-Mail: info@bahrsdie.com
 Web: www.bahrsdie.com



Bahrs
 Die & Stamping Co., Inc.
 4375 Rossplain Rd., Cincinnati, OH 45236



GENERAL DIMENSIONS

Part No.	Mounting	B	Lam	Part No.	Mounting	B	Lam
TMB-601	1-1/2 Horiz.	3	EI-13	TMB-607	1-3/4 Horiz.	3-29/32	EI-19
TMB-602	1-1/2 Vert.	3-25/32	EI-13	TMB-608	1-3/4 Vert.	6-5/32	EI-19
TMB-603	1-5/8 Horiz.	3-7/16	EI-36	B620HO	2" Horiz.	4-3/32	EI-200 HO
TMB-604	1-5/8 Vert.	4-15/16	EI-36	B620VO	2" Vert.	5-3/32	EI-202
TMB-605S	1-3/4 Horiz.	4-5/8	EI-175S	TMB-609	2-1/2 Horiz.	5-1/2	EI-250
TMB-605	1-3/4 Horiz.	3-17/32	EI-175				RETMA
TMB-606S	1-3/4 Vert.	5-9/32	EI-175	TMB-610	2-1/2 Vert.	6-11/16	EI-250
TMB-606	1-3/4 Vert.	4-13/32	EI-175				RETMA

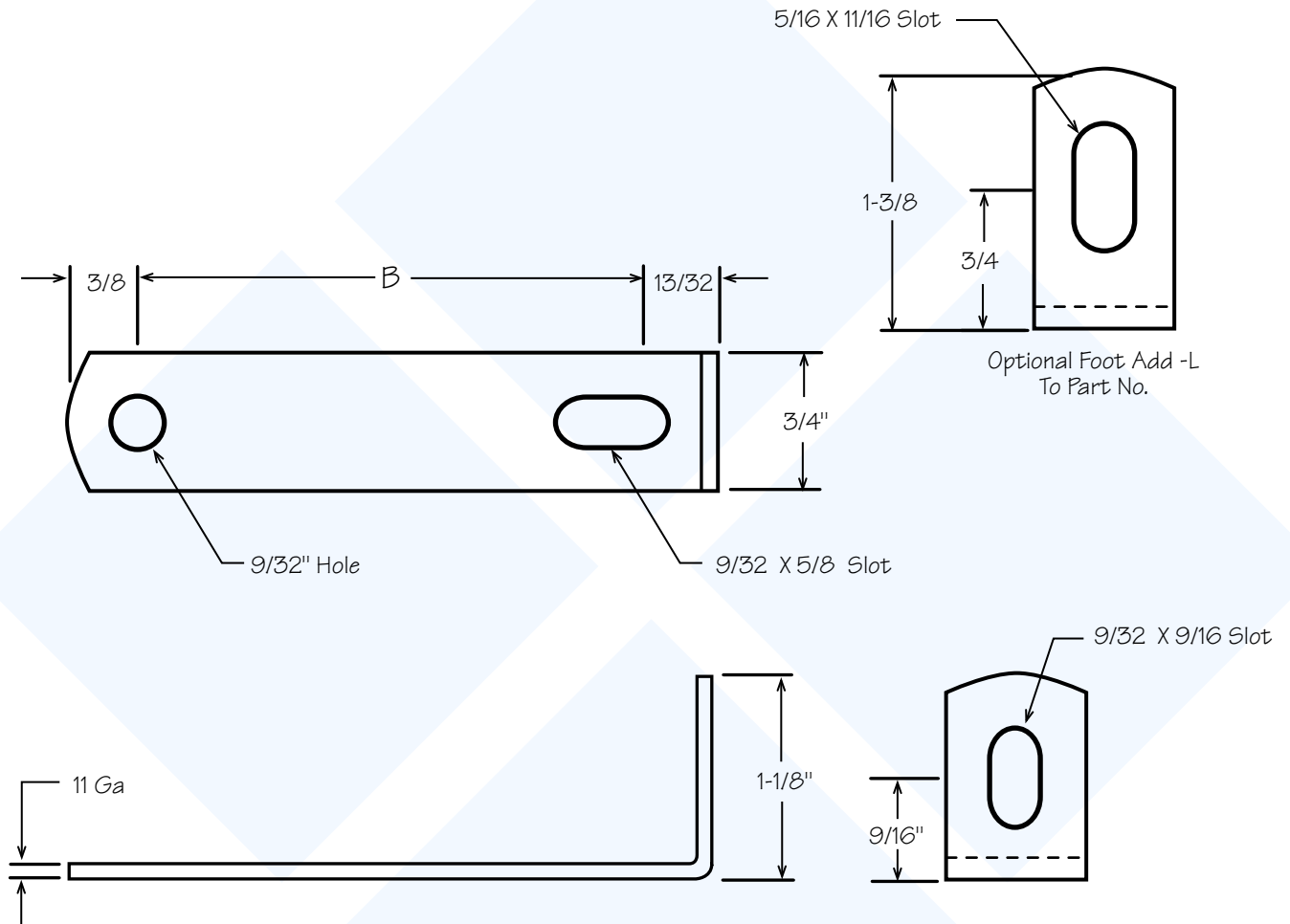
Tolerances:
 Decimal ± 0.005"
 Fractional ± 1/64"

Phone: (513) 793-8100
 FAX: (513) 793-0624

Links E-Mail: info@bahrsdie.com
 Web: www.bahrsdie.com



Bahrs
 Die & Stamping Co., Inc.
 4375 Rossplain Rd., Cincinnati, OH 45236



GENERAL DIMENSIONS

Part No.	Mounting	B	Lam	Part No.	Mounting	B	Lam
TMB-751	2-1/8 Horiz.	4-3/8	EI-212	TMB-756	2-1/2 Horiz.	5-7/32	EI-20
TMB-752	2-1/8 Vert.	5-7/16	EI-212	TMB-757	2-1/2 Vert.	7-23/32	EI-20
TMB-753	2-1/4 Horiz.	5	EI-225S	TMB-758	2-1/2 Horiz.	7-3/32	EI-251
TMB-754	2-1/4 Vert.	6-1/32	EI-225S EI-225L	TMB-759	2-1/2 Vert.	8-3/32	EI-251
TMB-755	2-1/4 Horiz.	8-1/2	EI-225L				

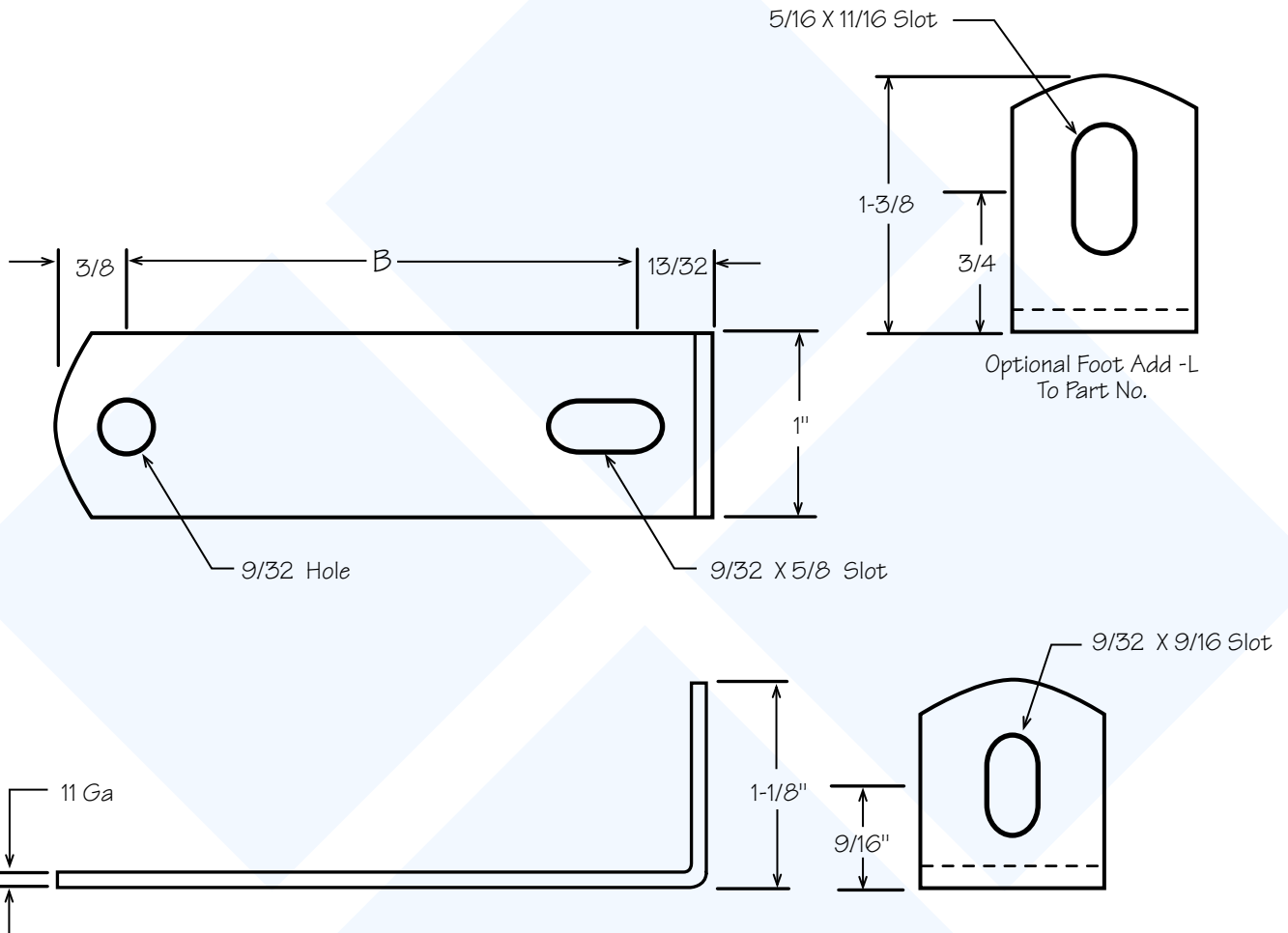
Tolerances:
 Decimal $\pm 0.005"$
 Fractional $\pm 1/64"$

Phone: (513) 793-8100
 FAX: (513) 793-0624

Links E-Mail: info@bahrsdie.com
 Web: www.bahrsdie.com



Bahrs
 Die & Stamping Co., Inc.
 4375 Rossplain Rd., Cincinnati, OH 45236



GENERAL DIMENSIONS

Part No.	Mounting	B	Lam	Part No.	Mounting	B	Lam
TMB-801	2-1/8 Horiz.	4-3/8	EI-212	TMB-806	2-1/2 Horiz.	5-7/32	EI-20
TMB-802	2-1/8 Vert.	5-7/16	EI-212	TMB-807	2-1/2 Vert.	7-23/32	EI-20
TMB-803	2-1/4 Horiz.	5	EI-225S	TMB-808	2-1/2 Horiz.	7-3/32	EI-251
TMB-804	2-1/4 Vert.	6-1/32	EI-225S EI-225L	TMB-809	2-1/2 Vert.	8-3/32	EI-251
TMB-805	2-1/4 Horiz.	8-1/2	EI-225L				

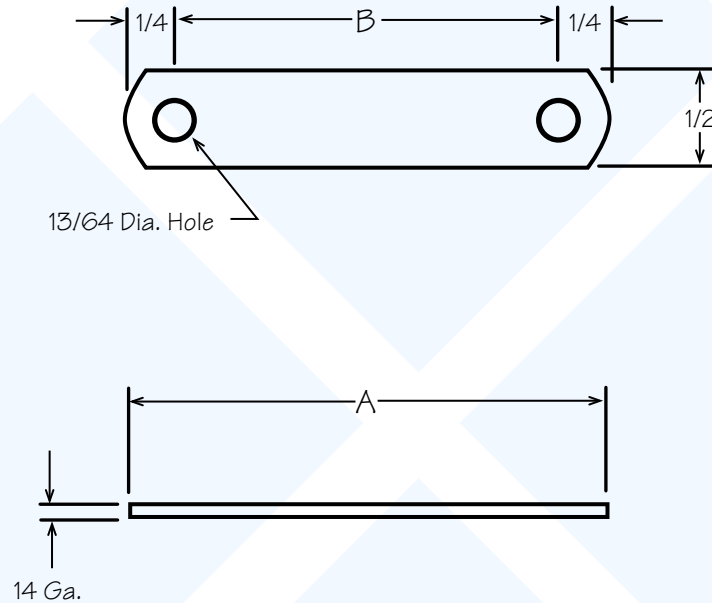
Tolerances:
 Decimal $\pm 0.005"$
 Fractional $\pm 1/64"$

Phone: (513) 793-8100
 FAX: (513) 793-0624

Links E-Mail: info@bahrsdie.com
 Web: www.bahrsdie.com



Bahrs
 Die & Stamping Co., Inc.
 4375 Rossplain Rd., Cincinnati, OH 45236



GENERAL DIMENSIONS

Part No.	Mounting	A	B	Part No.	Mounting	A	B
TMS-1	1 Horiz.	2-1/2	2	TMS-7	1-3/8 Horiz.	3-1/4	2-3/4
TMS-2	1 Vert.	3	2-1/2	TMS-8	1-3/8 Vert.	3-15/16	3-7/16
TMS-3	1-1/8 Horiz.	2-3/4	2-1/4	TMS-9	1-1/2 Horiz.	3-1/2	3
TMS-4	1-1/8 Vert.	3-5/16	2-13/16	TMS-10	1-1/2 Vert.	4-1/4	3-3/4
TMS-5	1-1/4 Horiz.	3	2-1/2	TMS-11	1-3/4 Horiz.	4	3-1/2
TMS-6	1-1/4 Vert.	3-5/8	3-1/8	TMS-12	1-3/4 Vert.	4-7/8	4-3/8

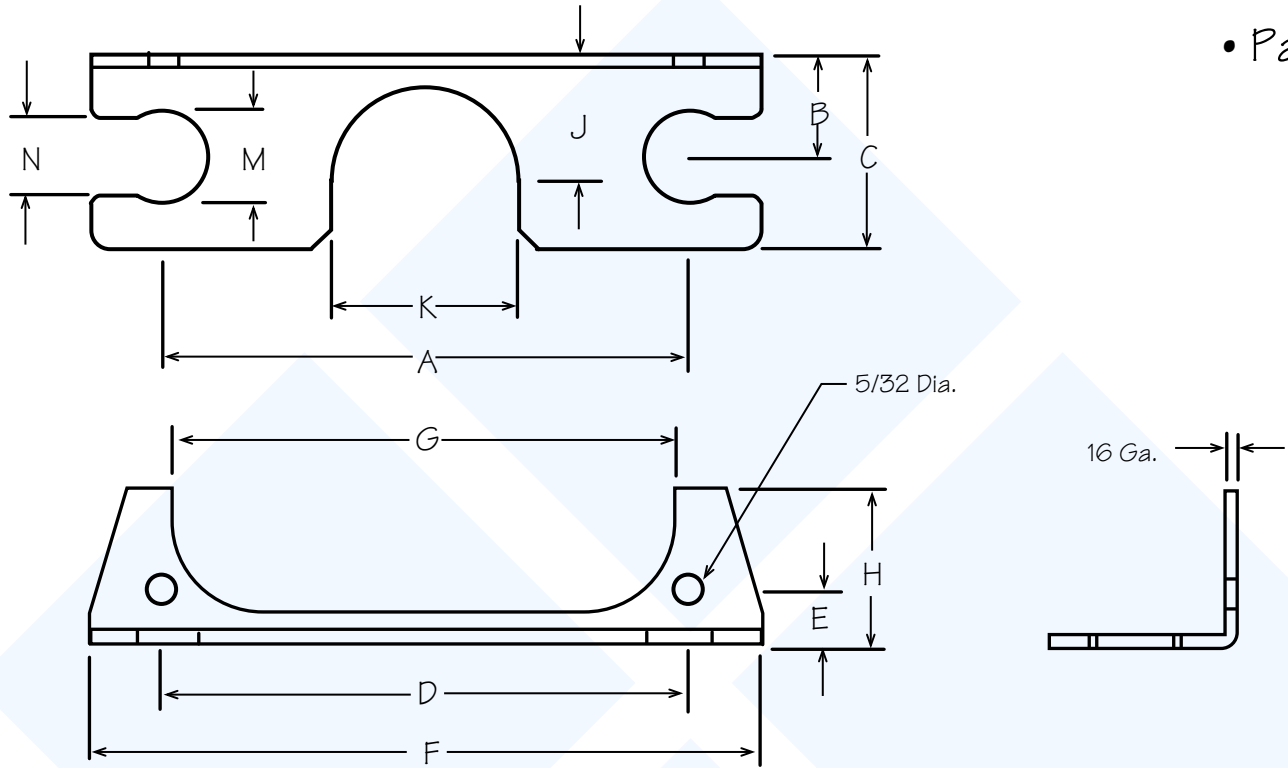
Tolerances:
 Decimal $\pm 0.005"$
 Fractional $\pm 1/64"$

Phone: (513) 793-8100
 FAX: (513) 793-0624

Links E-Mail: info@bahrsdie.com
 Web: www.bahrsdie.com



Bahrs
 Die & Stamping Co., Inc.
 4375 Rossplain Rd., Cincinnati, OH 45236



GENERAL DIMENSIONS

	CVB 10	CVB 111	CVB 20	CVB21
A	2-3/4	2-3/4	3	3
B	17/32	17/32	31/64	31/64
C	31/32	31/32	31/32	31/32
D	2-3/4	2-3/4	2-3/4	2-3/4
E	9/32	9/32	9/32	9/32
F	3-1/2	3-1/2	3-1/2	3-1/2
G	2-5/8	2-5/8	2-5/8	2-5/8
H	13/16	13/16	13/16	13/16
J	—	21/32	—	21/32
K	—	31/32	—	31/32
M	31/64	31/64	31/64	31/64
N	13/32	13/32	31/32	31/32

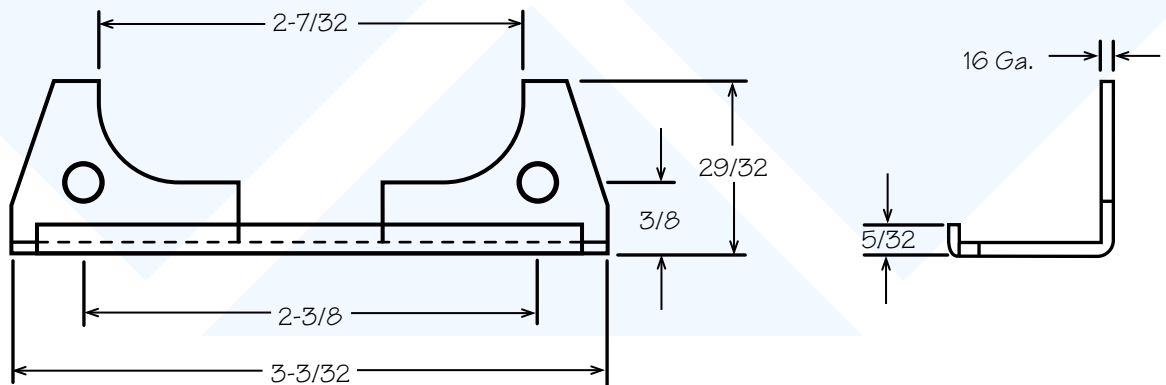
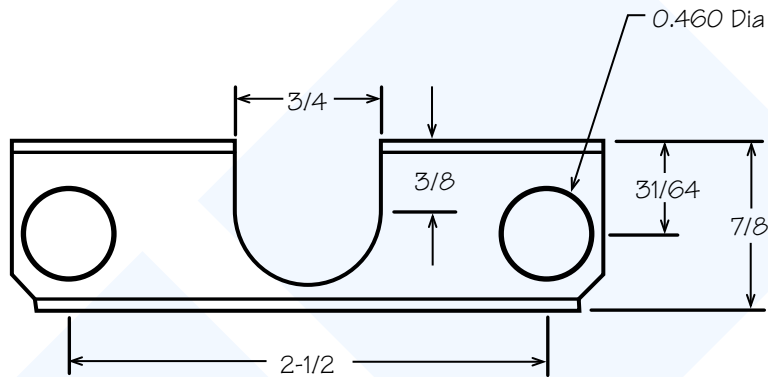
Tolerances:
Decimal $\pm 0.005"$
Fractional $\pm 1/64"$

Phone: (513) 793-8100
FAX: (513) 793-0624

Links E-Mail: info@bahrsdie.com
Web: www.bahrsdie.com



Bahrs
Die & Stamping Co., Inc.
4375 Rossplain Rd., Cincinnati, OH 45236



Tolerances:
Decimal ± 0.005 "
Fractional $\pm 1/64$ "

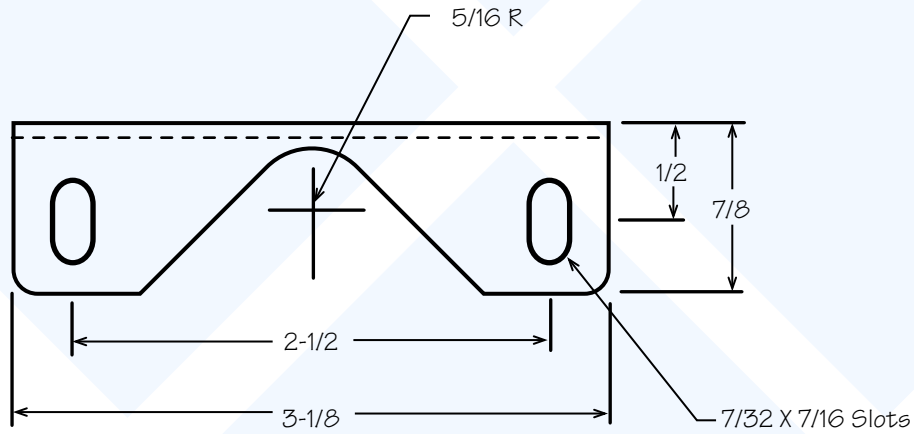
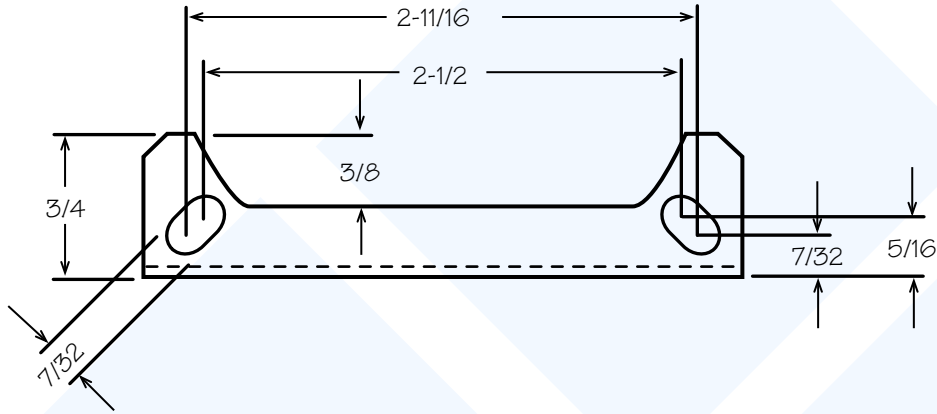
Phone: (513) 793-8100
FAX: (513) 793-0624

Links

E-Mail: info@bahrsdie.com
Web: www.bahrsdie.com



Bahrs
Die & Stamping Co., Inc.
4375 Rossplain Rd., Cincinnati, OH 45236



Bahrs

Tolerances:
Decimal $\pm 0.005''$
Fractional $\pm 1/64''$

Phone: (513) 793-8100
FAX: (513) 793-0624

Links

E-Mail: info@bahrsdie.com
Web: www.bahrsdie.com



Bahrs
Die & Stamping Co., Inc.
4375 Rossplain Rd., Cincinnati, OH 45236

[Click to go to: Welding Strap - 3/4" Horizontal Mounting](#) 78

[Fibre Washer](#) 79

[Box Plates - BP 18N509](#) 80

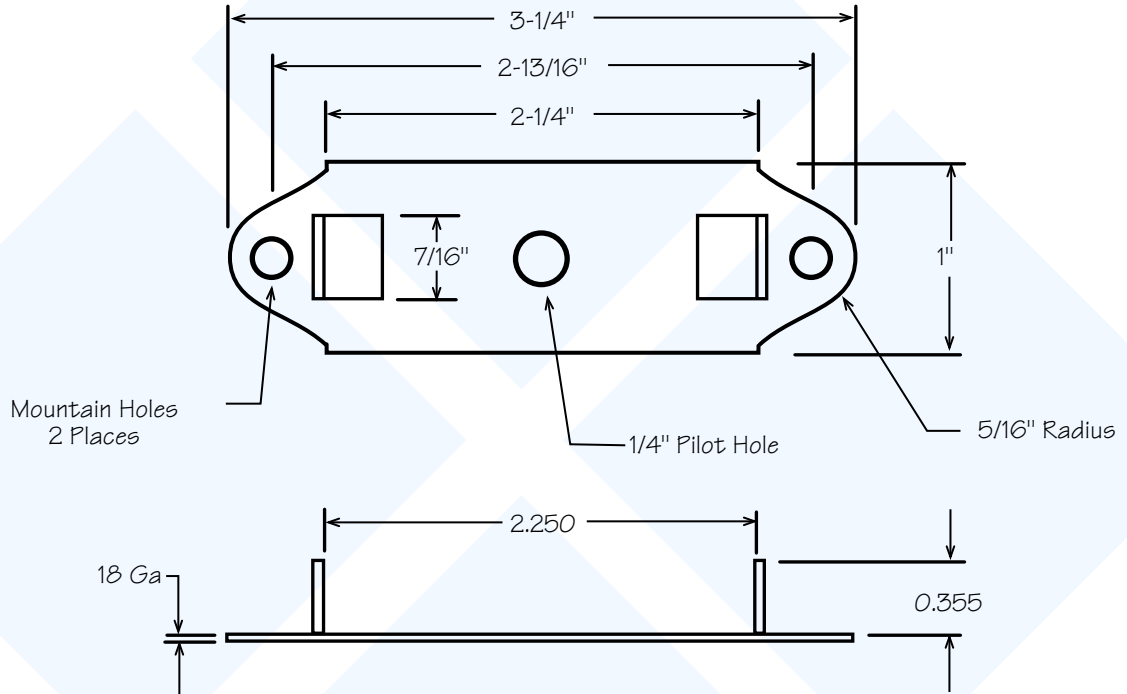
[Box Plates - BP 18879](#) 81

[Box Plates - BP 18109](#) 82

Miscellaneous

Bahrs

HMS75100



Mounting
3/16" Holes
3/16" X 9/32" Slots



Tolerances:
 Decimal $\pm 0.005"$
 Fractional $\pm 1/64"$

Material 18 GA
 CRS—Colled Rolled Steel

Phone: (513) 793-8100
 FAX: (513) 793-0624

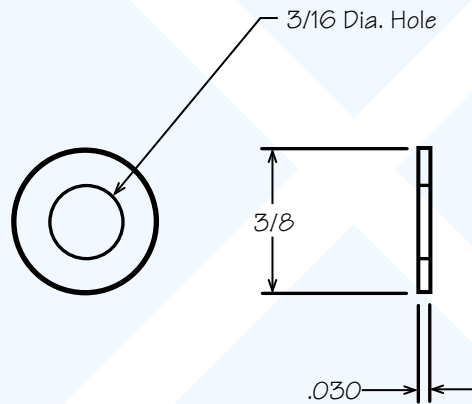
Links

E-Mail: info@bahrsdie.com
 Web: www.bahrsdie.com



Bahrs
 Die & Stamping Co., Inc.
 4375 Rossplain Rd., Cincinnati, OH 45236

W-1



Material: Red Vulcanized Fibre

Bahrs

Tolerances:
Decimal ± 0.005 "
Fractional $\pm 1/64$ "

Phone: (513) 793-8100
FAX: (513) 793-0624

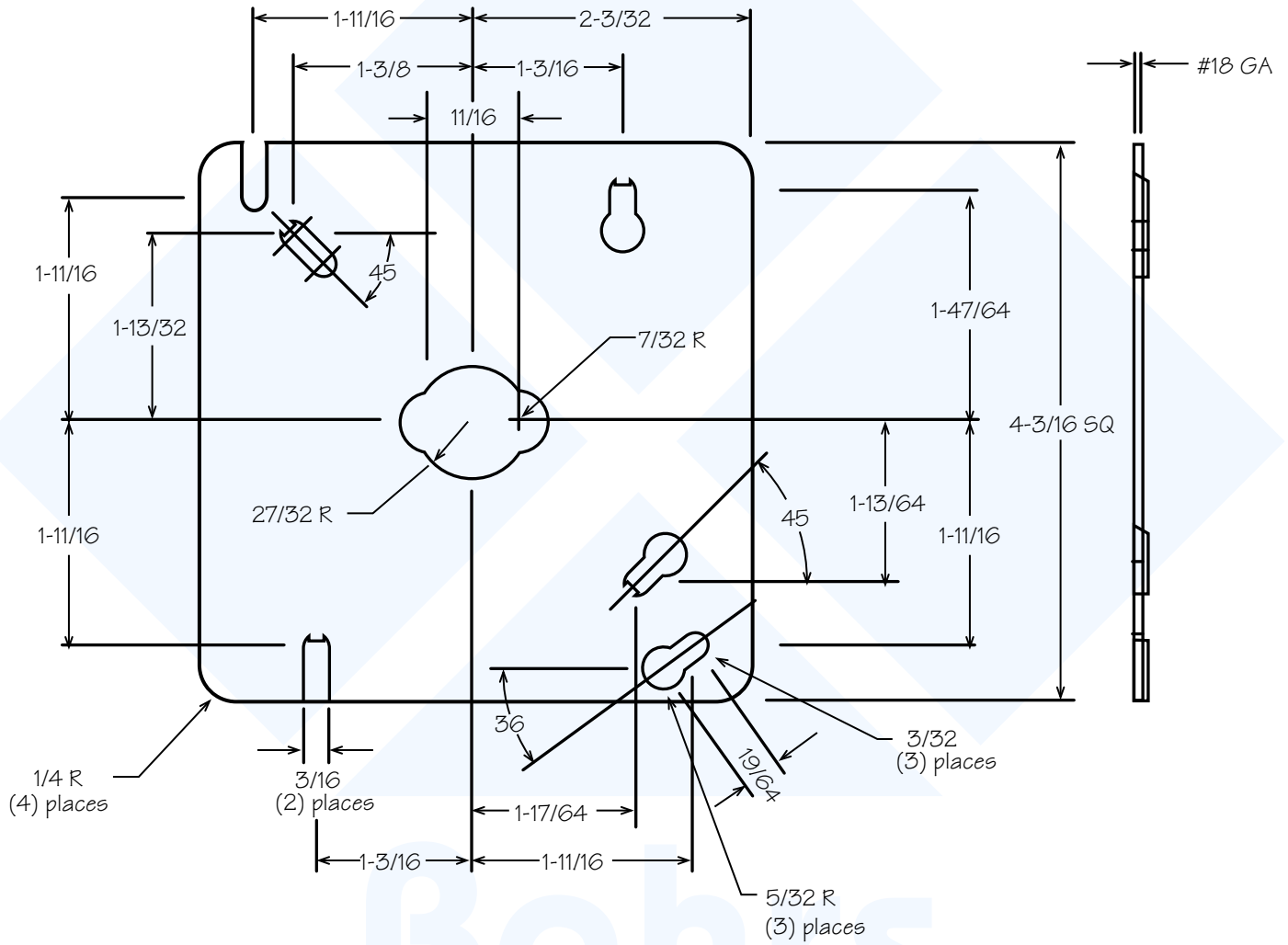
Links

E-Mail: info@bahrsdie.com
Web: www.bahrsdie.com



Bahrs
Die & Stamping Co., Inc.
4375 Rossplain Rd., Cincinnati, OH 45236

BP 18N509



Tolerances:
 Decimal $\pm 0.005"$
 Fractional $\pm 1/64"$

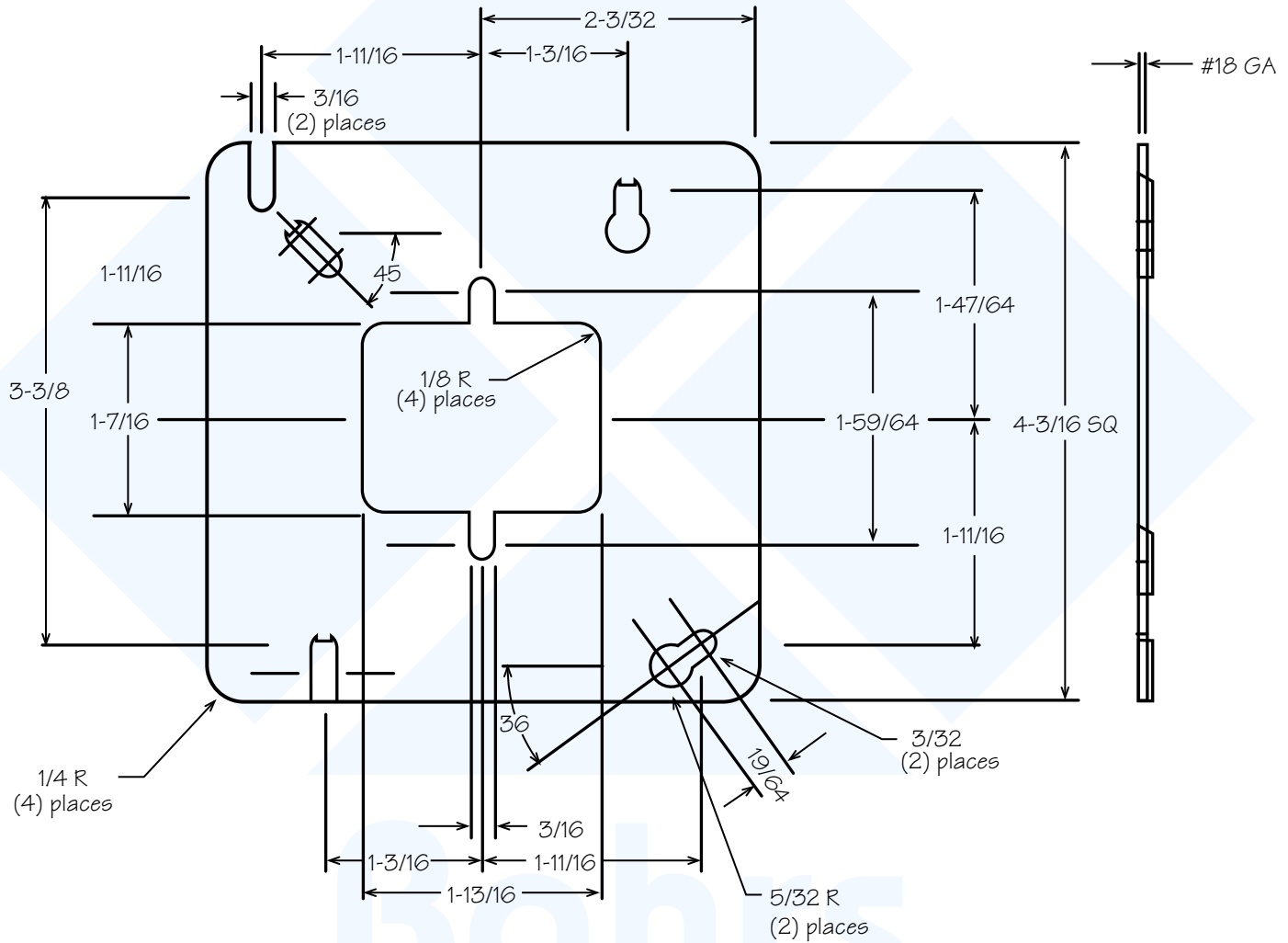
Phone: (513) 793-8100
 FAX: (513) 793-0624

Links E-Mail: info@bahrsdie.com
 Web: www.bahrsdie.com



Bahrs
 Die & Stamping Co., Inc.
 4375 Rossplain Rd., Cincinnati, OH 45236

BP 18879



Tolerances:
 Decimal $\pm 0.005"$
 Fractional $\pm 1/64"$

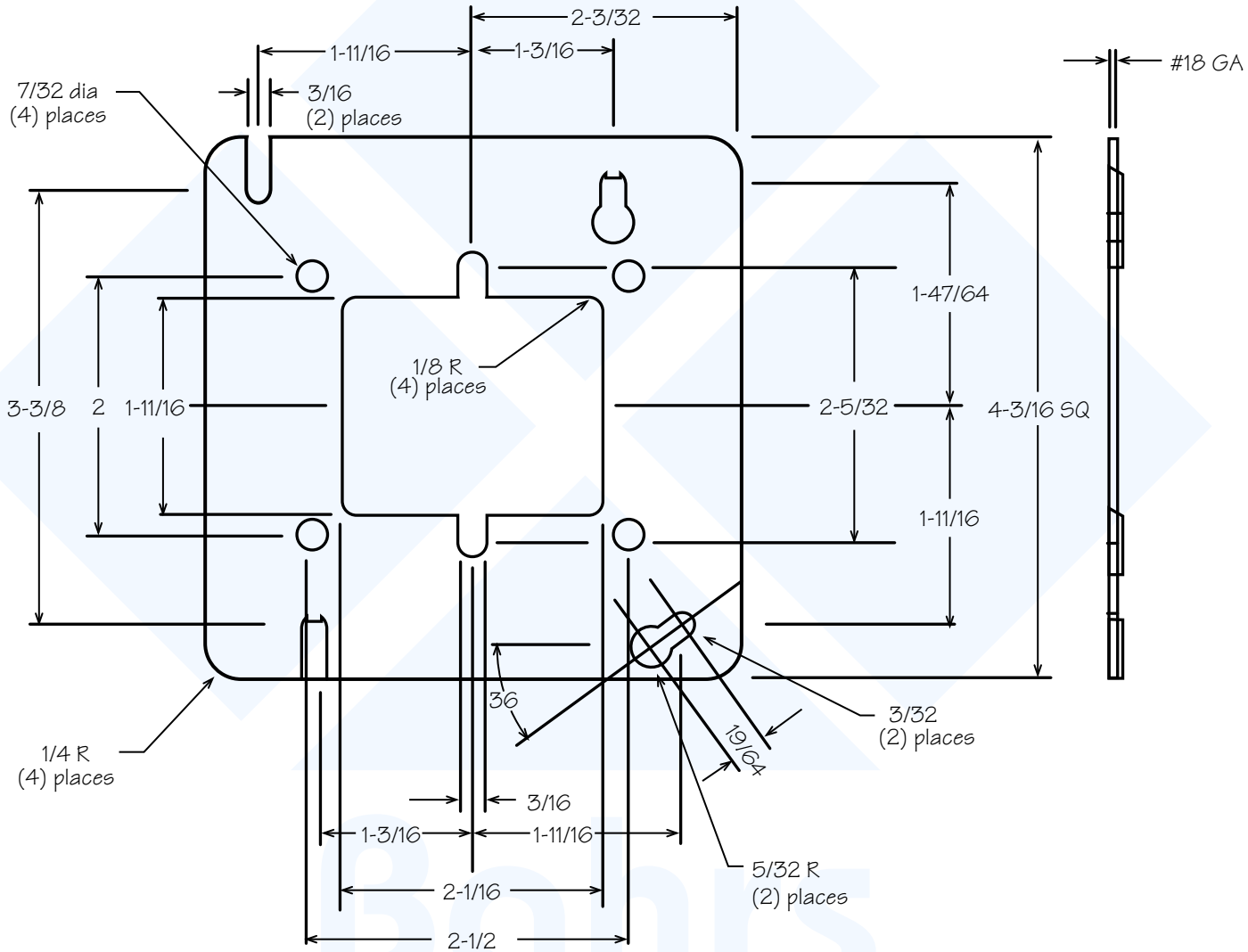
Phone: (513) 793-8100
 FAX: (513) 793-0624

Links E-Mail: info@bahrsdie.com
 Web: www.bahrsdie.com



Bahrs
 Die & Stamping Co., Inc.
 4375 Rossplain Rd., Cincinnati, OH 45236

BP 18109



Tolerances:
 Decimal ± 0.005 "
 Fractional $\pm 1/64$ "

Phone: (513) 793-8100
 FAX: (513) 793-0624

Links E-Mail: info@bahrsdie.com
 Web: www.bahrsdie.com



Bahrs
 Die & Stamping Co., Inc.
 4375 Rossplain Rd., Cincinnati, OH 45236